

Novara Inset Bath with tile bead

Product Code: **NT1525W / NT1665W**



MADE IN AUSTRALIA

Novara's soft internal lines & generous lumbar area creates the perfect invitation to relax & rejuvenate. This inset bath with a tile bead features self-supporting feet for easy installation.

- AS/NZ Standard 2023/1995
- Steel rod reinforced rim
- Double reinforced bath base
- Moulded arm rests

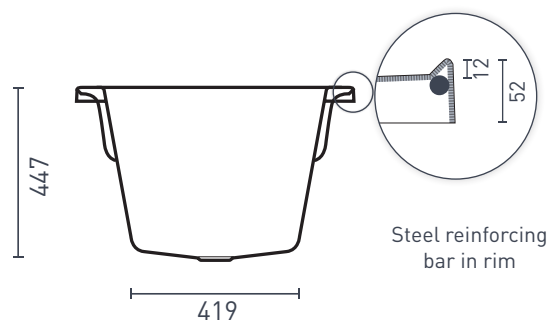
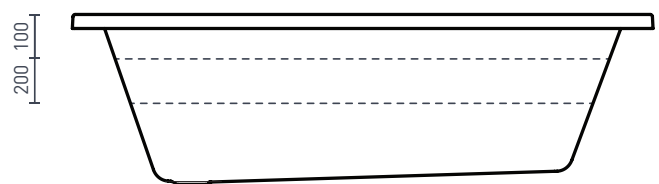
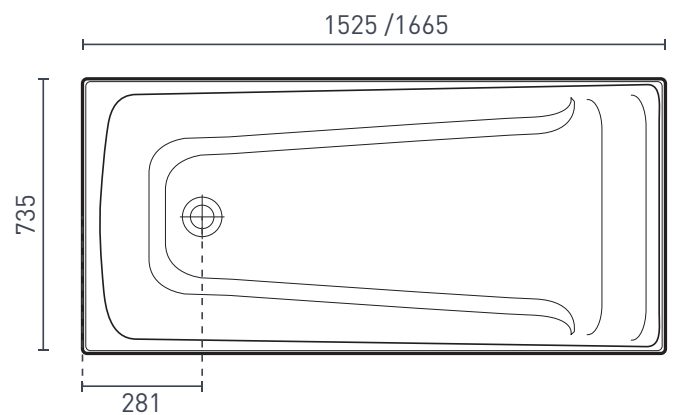


PRODUCT SPECIFICATIONS

Colour:	High Gloss White
Material:	Premium Sanitary grade acrylic
Length:	1525mm / 1665mm
Width:	735mm
Height:	447mm
Capacity:	101L / 114L [200mm below the bath rim]
Bath Type:	Inset
Waste Position:	End
Net Weight:	16.5kg / 17kg
Warranty:	15 years* (refer to decina.com.au)

OPTIONAL ACCESSORIES

- 40mm Removable pop-up waste *Chrome* **WA001**,
White Gloss **WA002**, *Black Matte* **WA003**
- Pop-up waste & overflow kit *Chrome* **OWA001**
- Pop-down waste & overflow kit *Chrome* **OWA002**
- Pop-down waste & overflow kit *Black* **OWA003**
- Fiore Headrest *Black* **SY242-A-B**
- EZI Frame / Base Support Frame **Various**



DECINA
DISCOVER INDULGENCE

[DECINA.COM.AU](https://www.decina.com.au) 1300 DECINA

*Warranty T&Cs apply, visit [decina.com.au](https://www.decina.com.au) Decina reserves the right to change specifications without notice. Due to manufacturing tolerances dimensions may vary +/- 5mm. We recommend installation does not start until after delivery. Please confirm all particulars prior to purchase, call 1300 DECINA or visit [decina.com.au](https://www.decina.com.au)